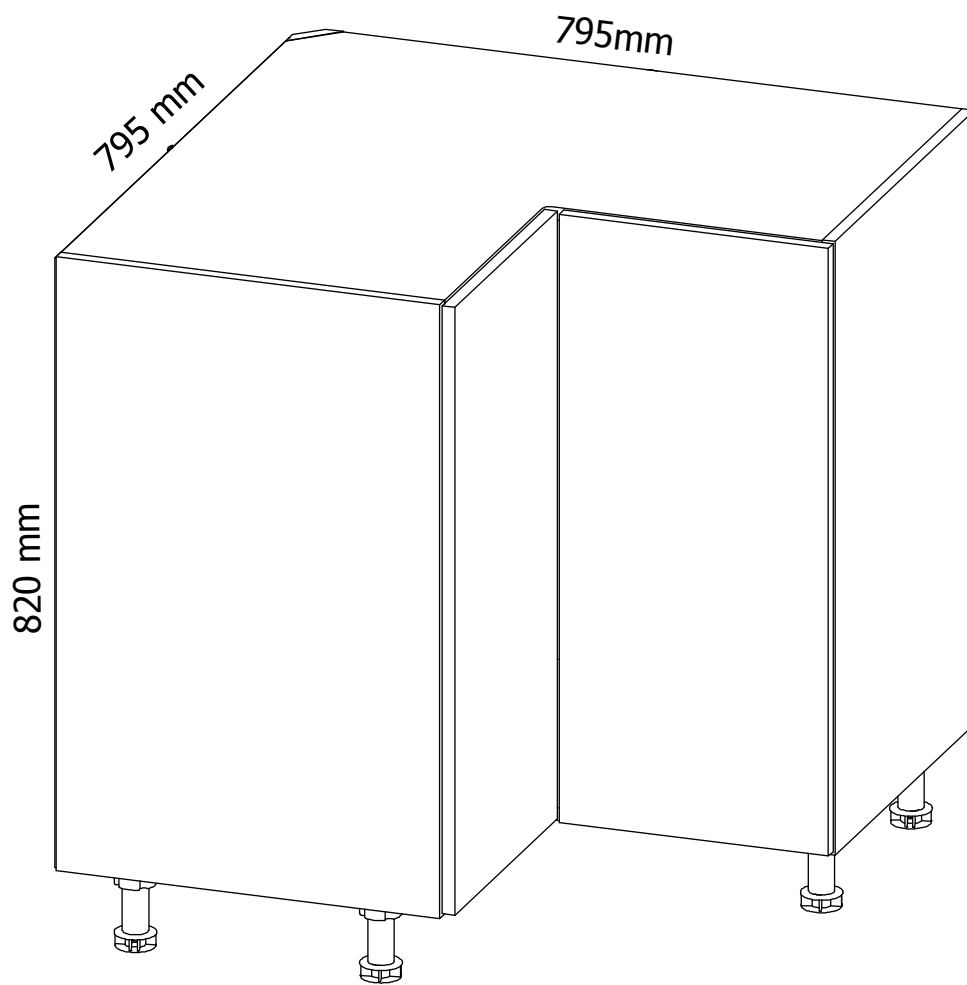
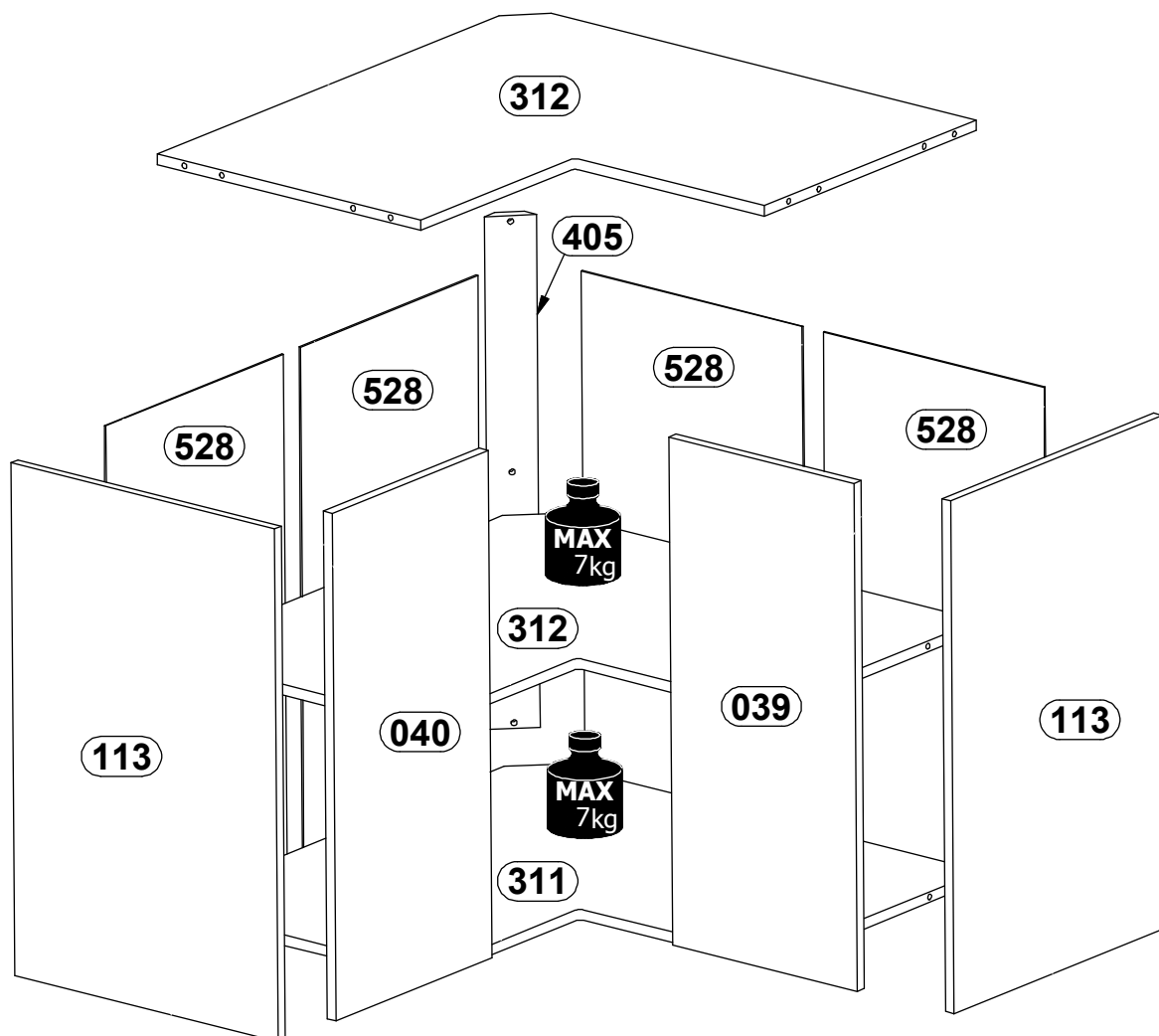
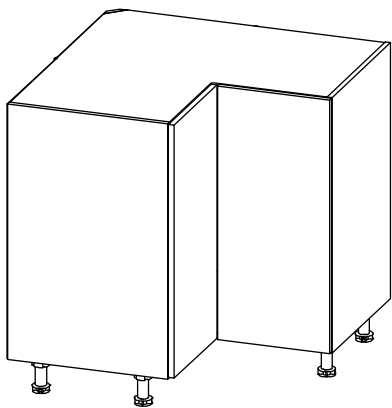
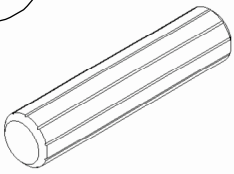
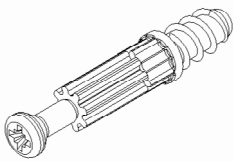
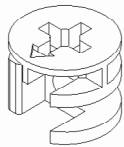
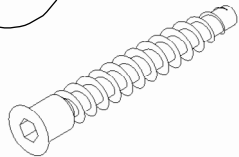
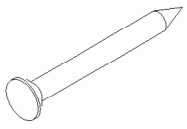
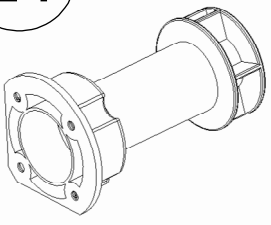
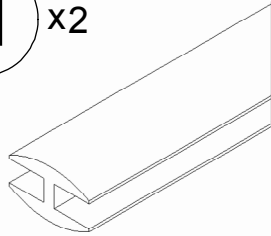
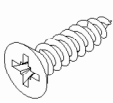

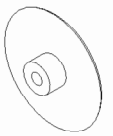
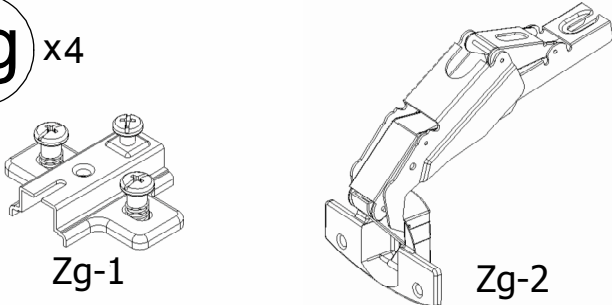


AURORA D90N

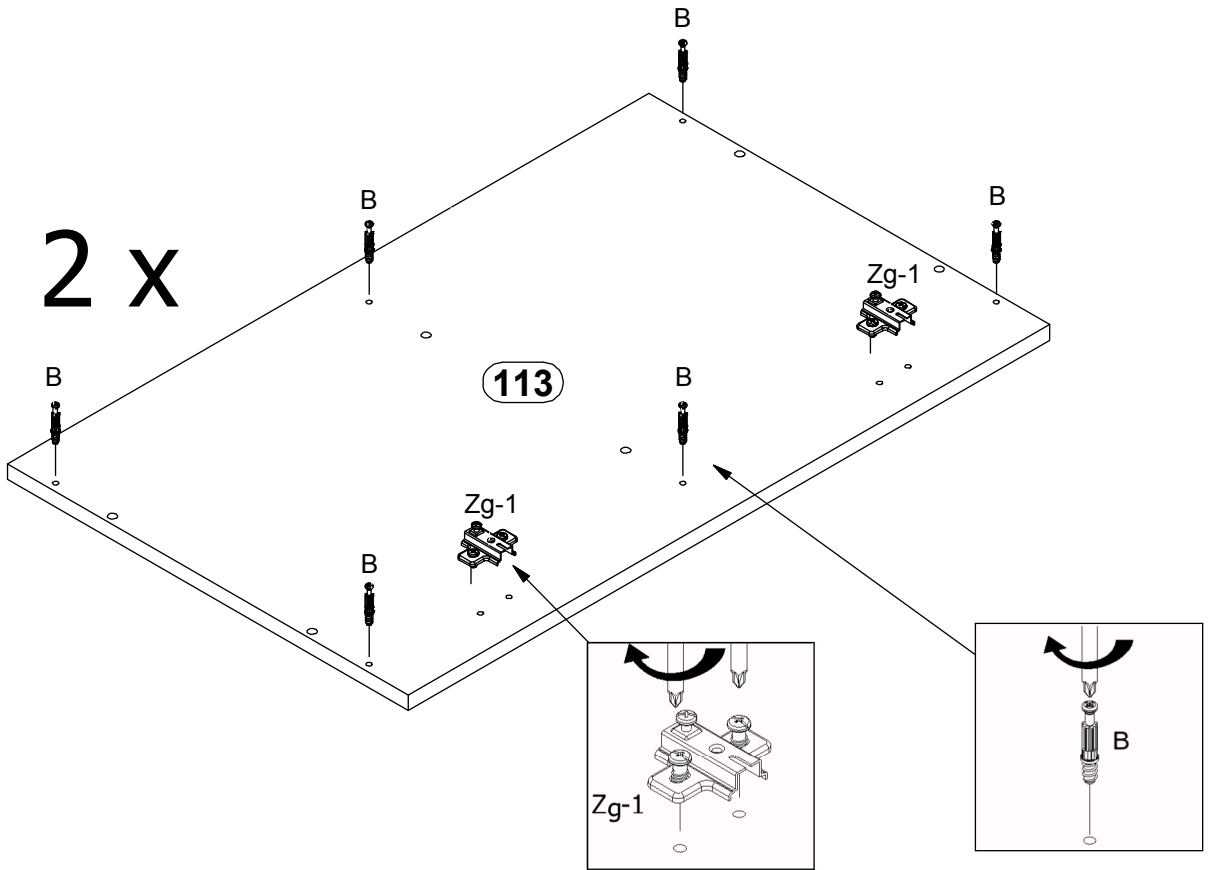


AURORA D90N

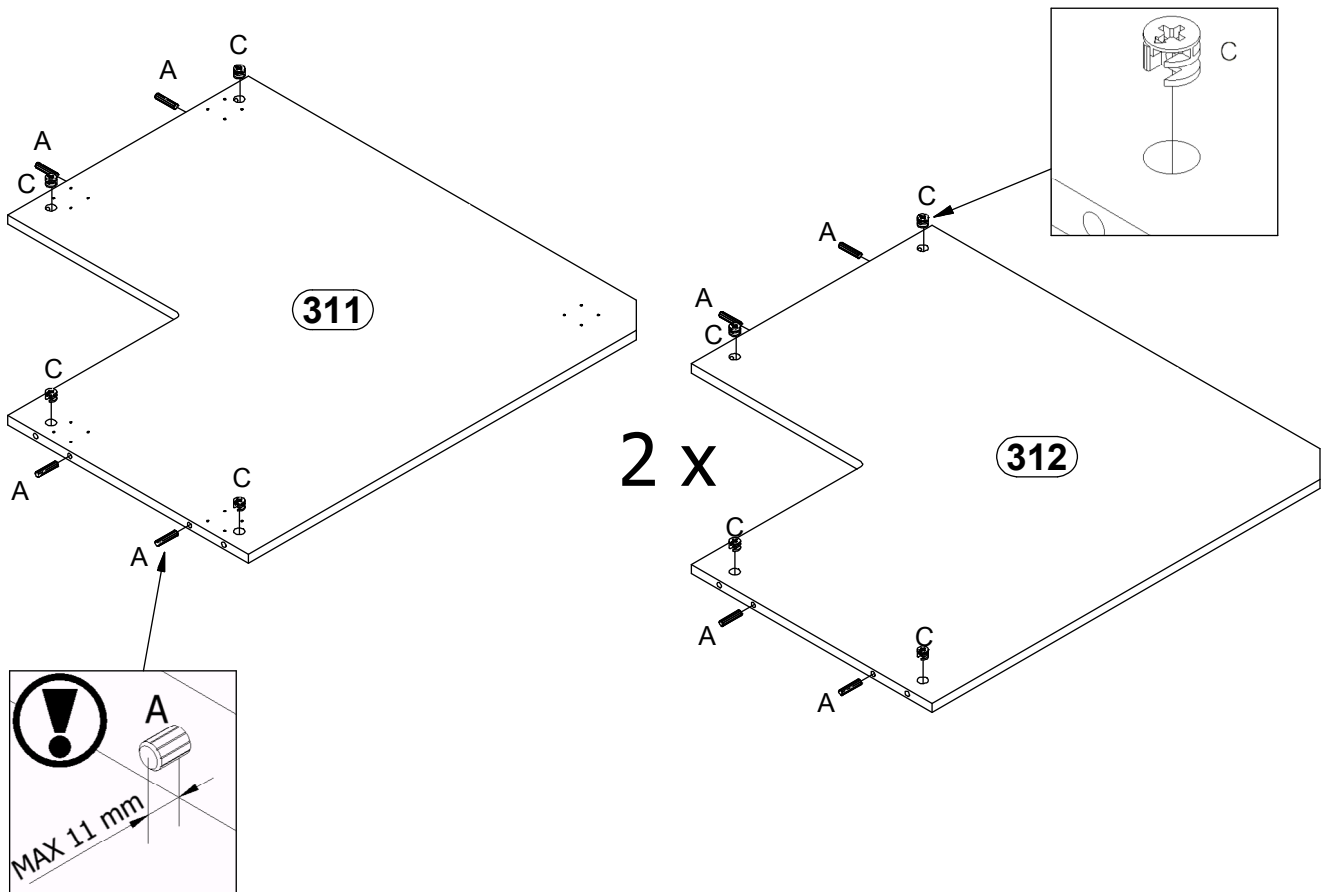


<p>A x12</p>  <p>Ø8x35mm</p>	<p>B x12</p> 	<p>C x12</p>  <p>Ø15x12mm</p>	<p>D x3</p>  <p>Ø6,4x50 mm</p>
<p>G x45</p> 	<p>L1 x5</p> 	<p>H x2</p>  <p>715 mm</p>	
<p>W2 x28</p>  <p>Ø3,5x16mm</p>	<p>Y x12</p>  <p>Ø18 mm</p>	<p>Y1 x3</p> 	
<p>Zg x4</p>  <p>Zg-1 Zg-2</p>			

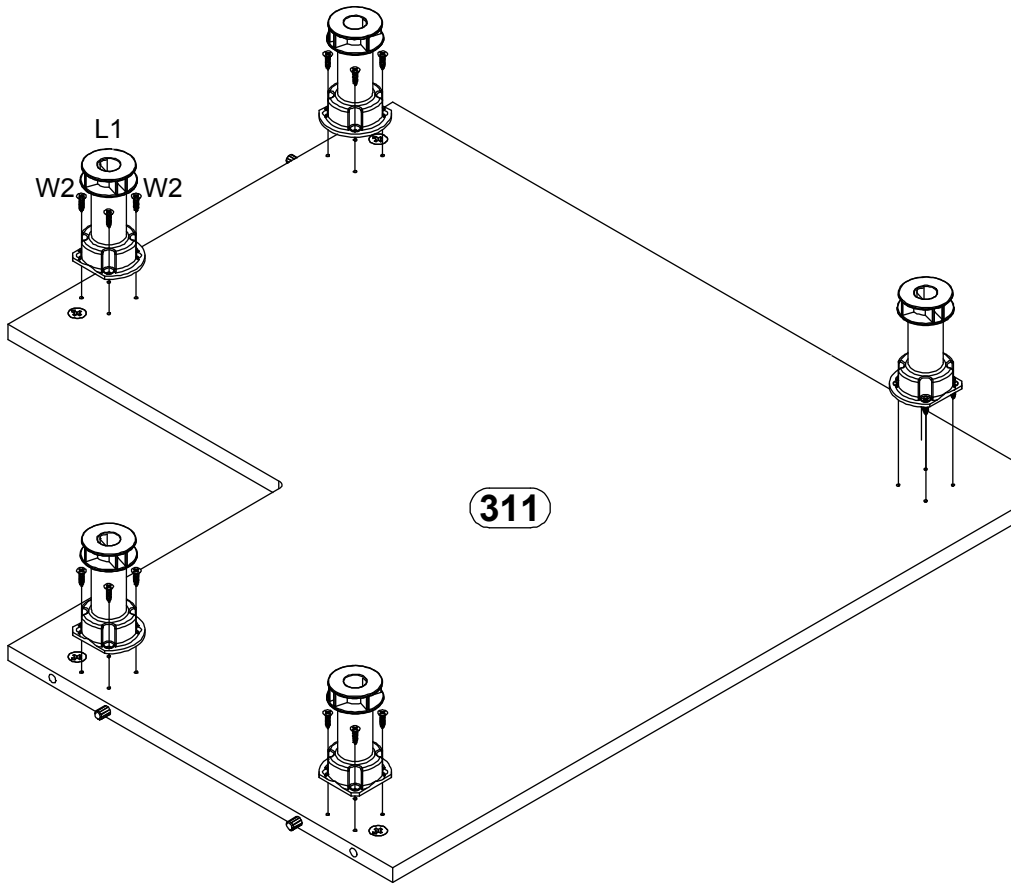
1



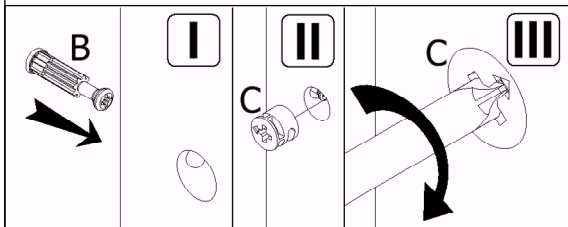
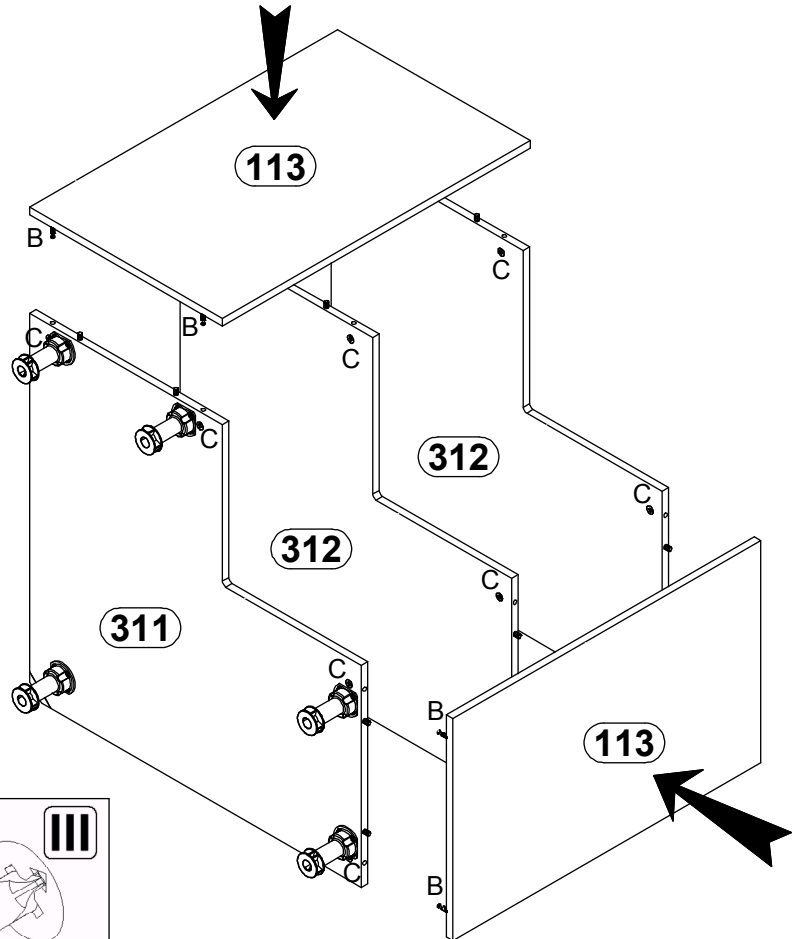
2



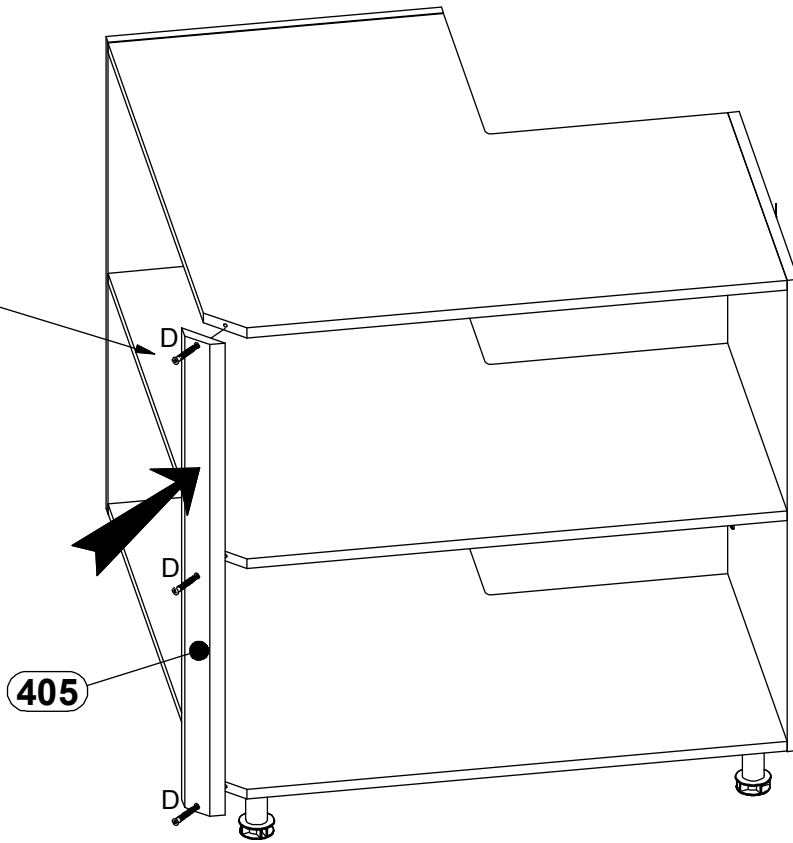
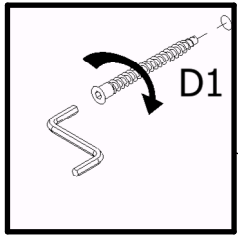
3



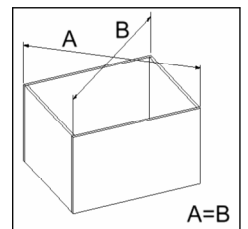
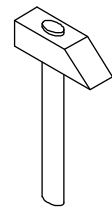
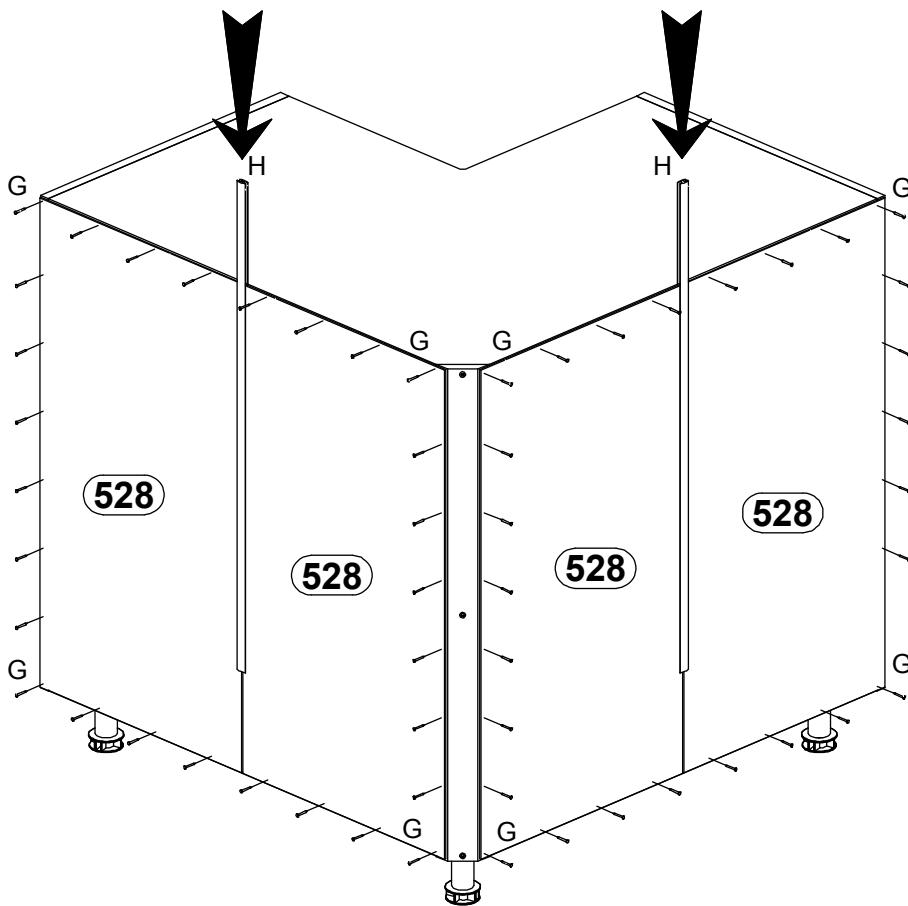
4



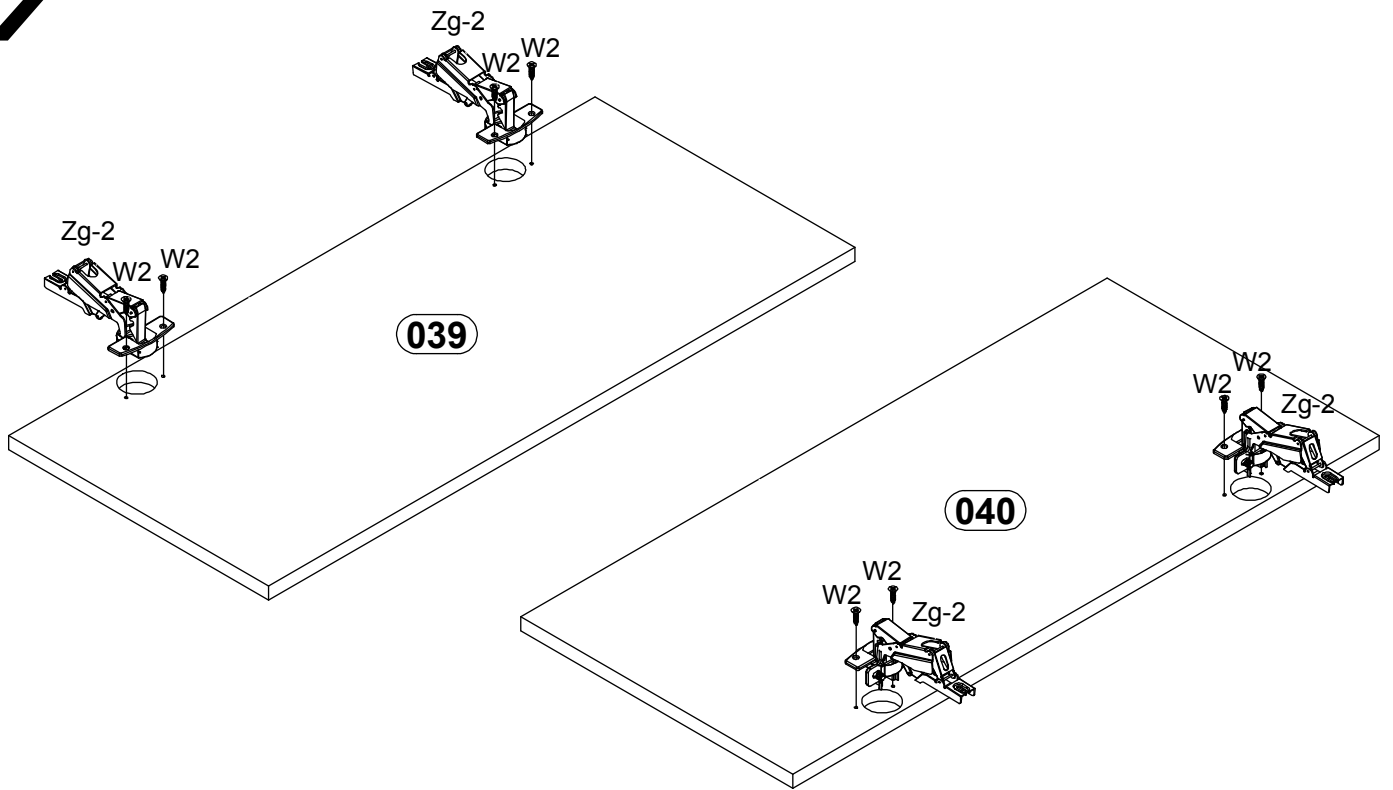
5



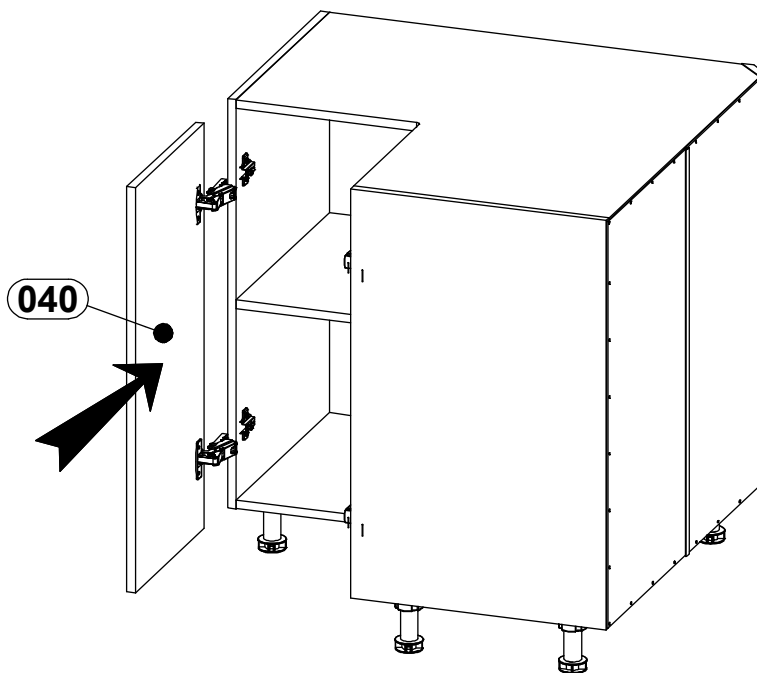
6



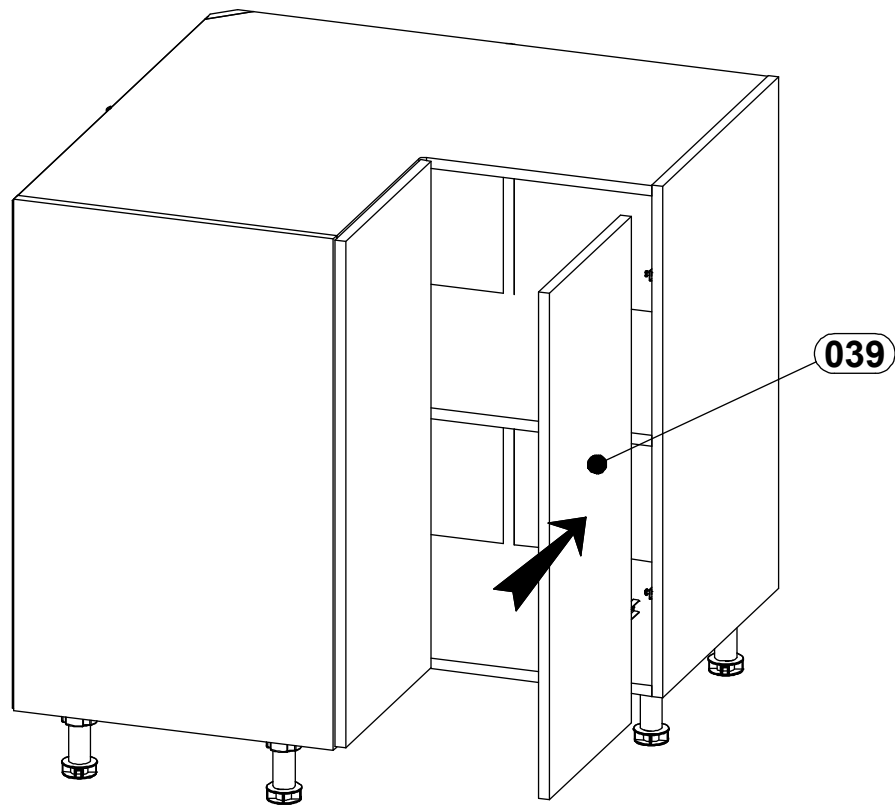
7



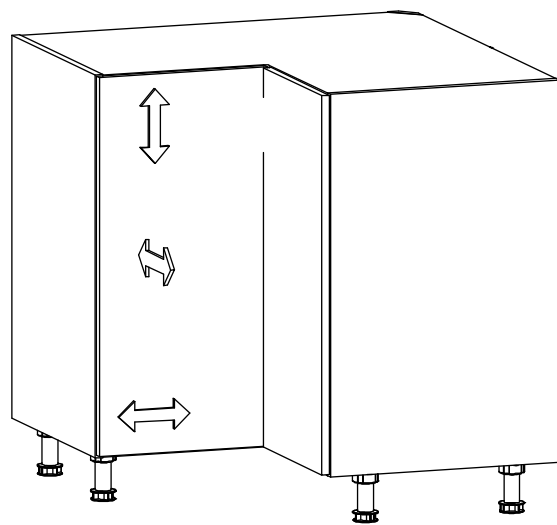
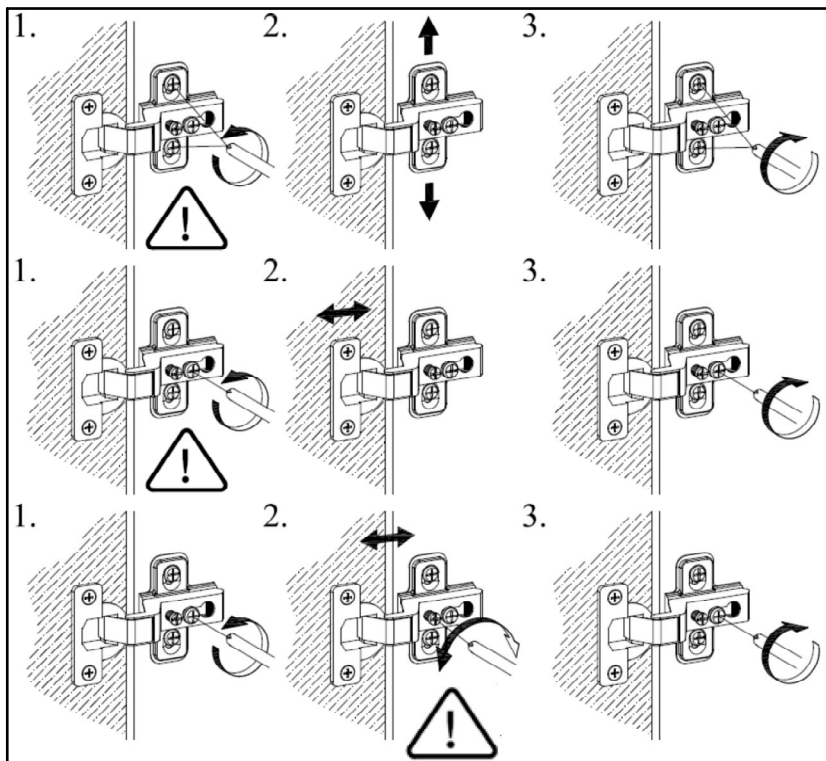
8

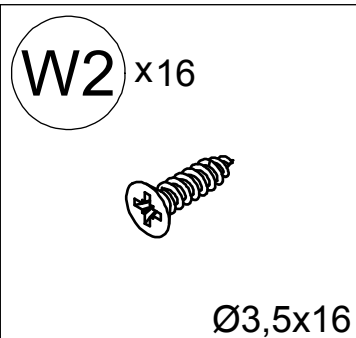
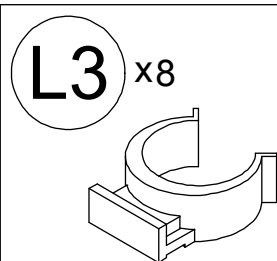
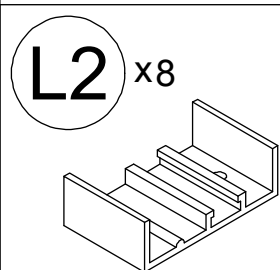
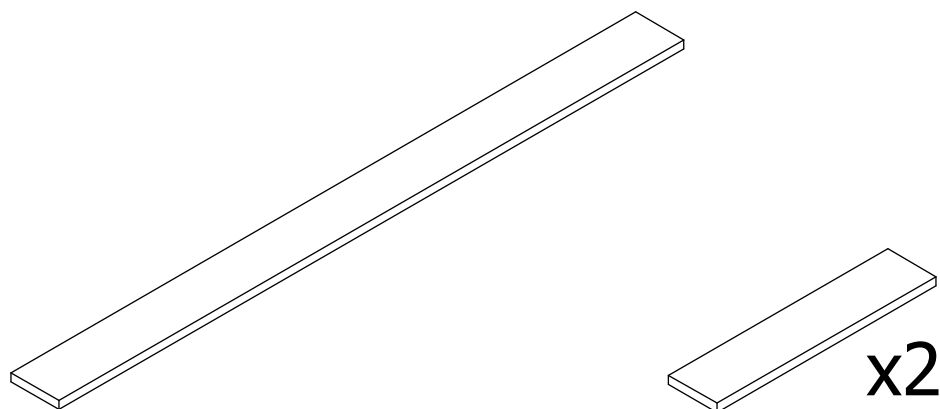
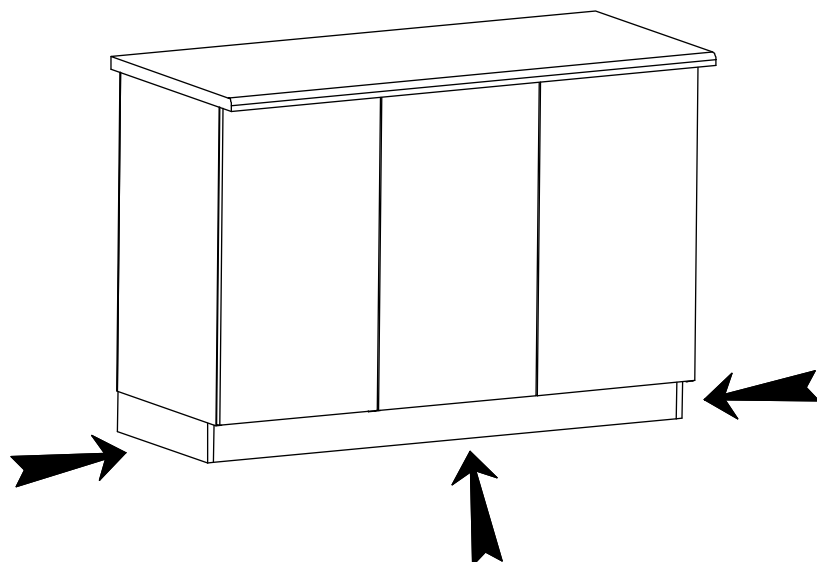


9

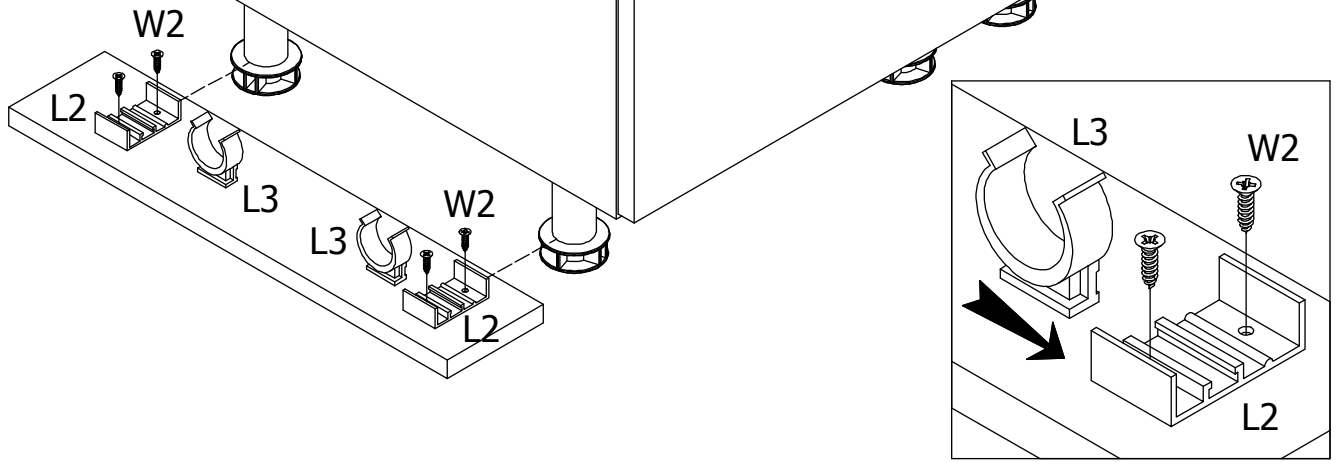


10





11



12

